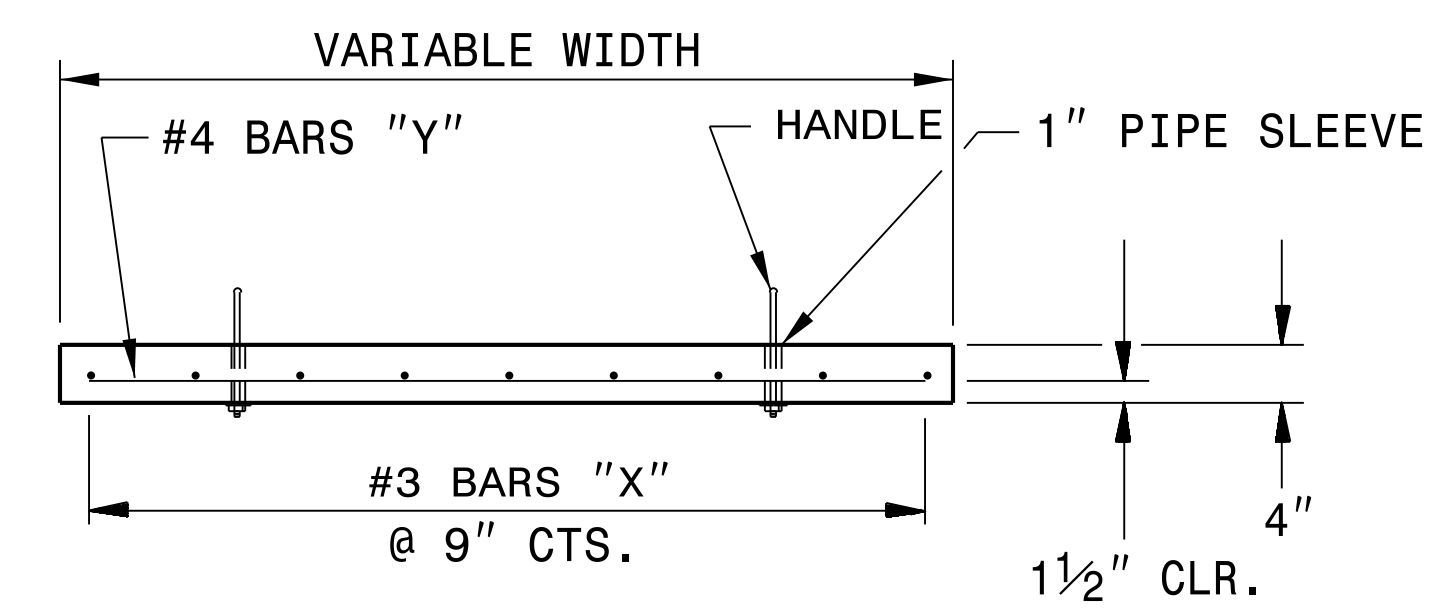
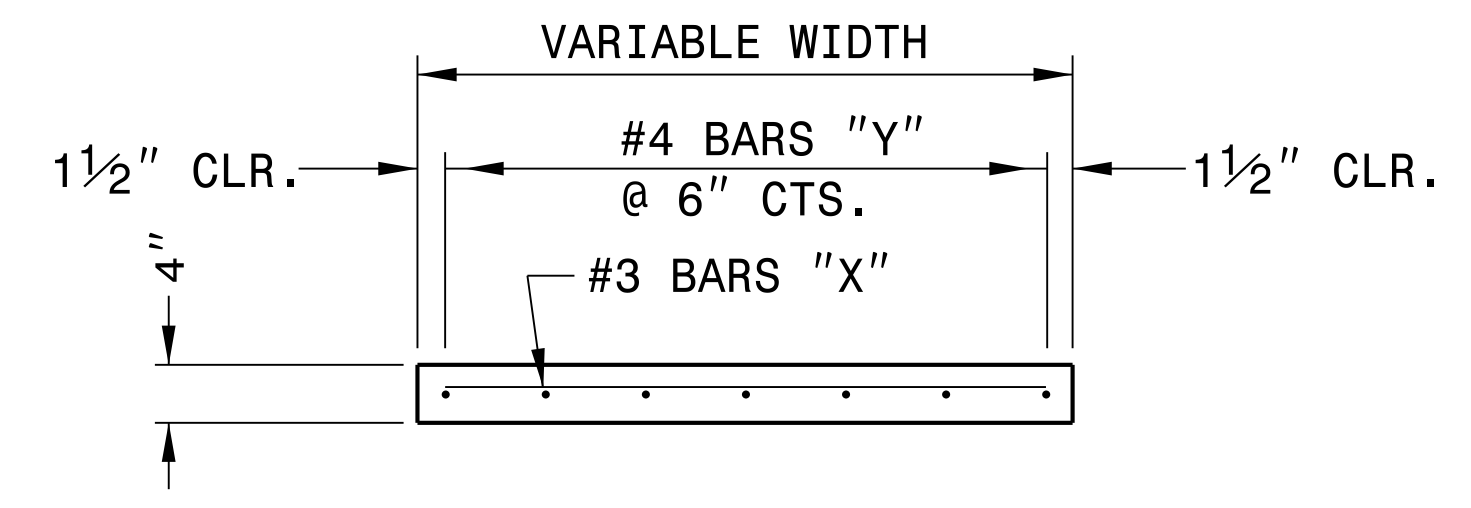


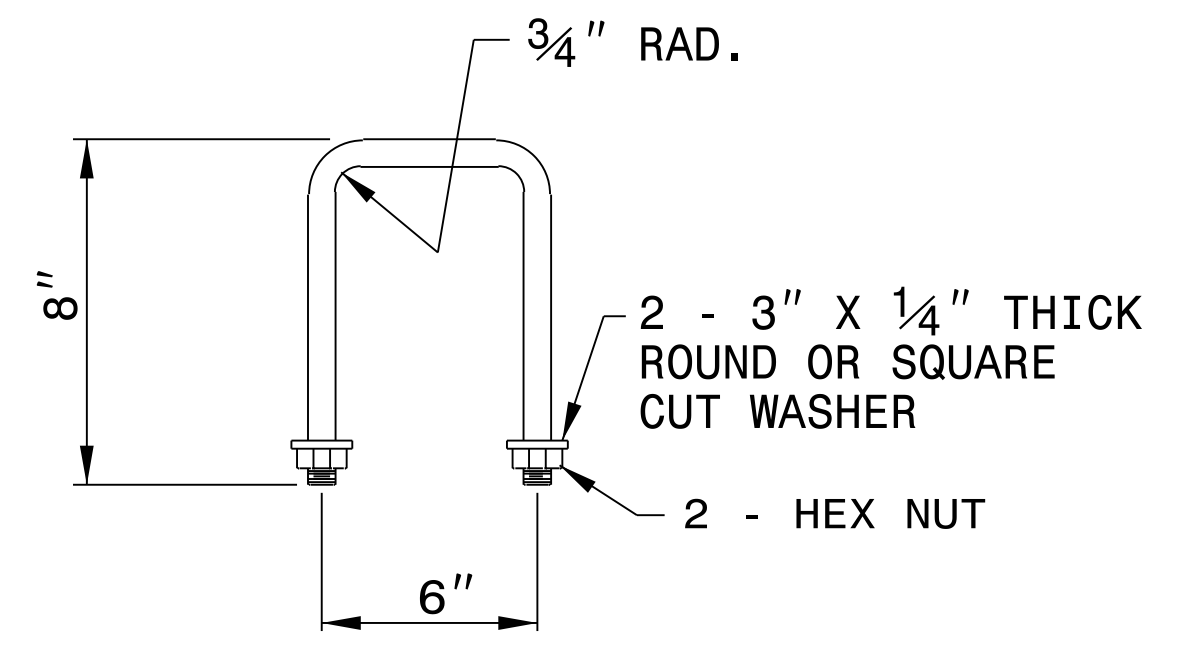
5/14/99



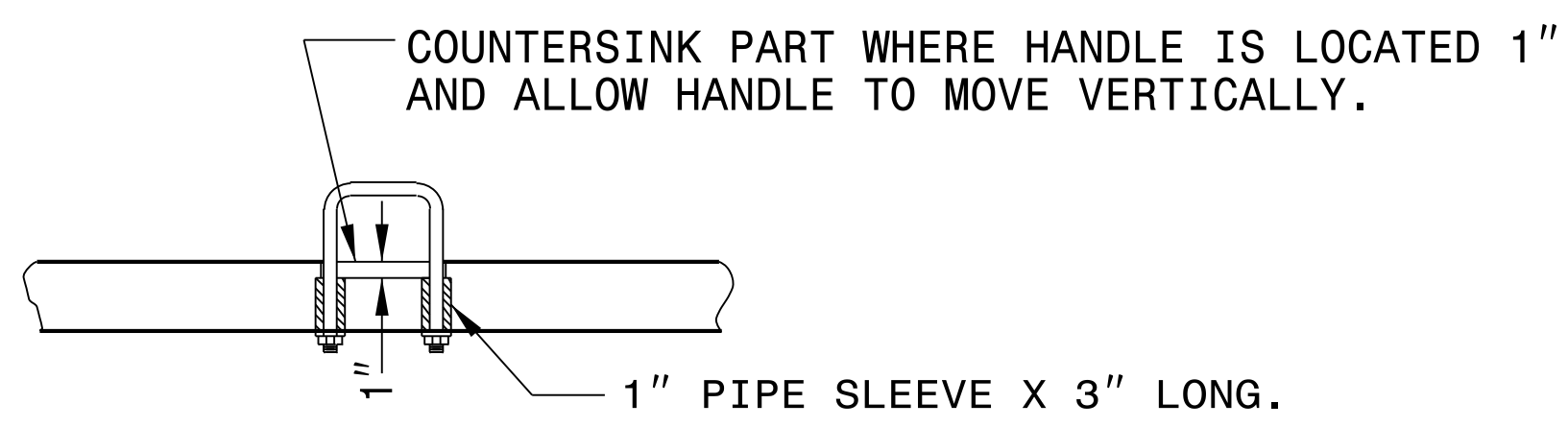
**SECTION V-V**



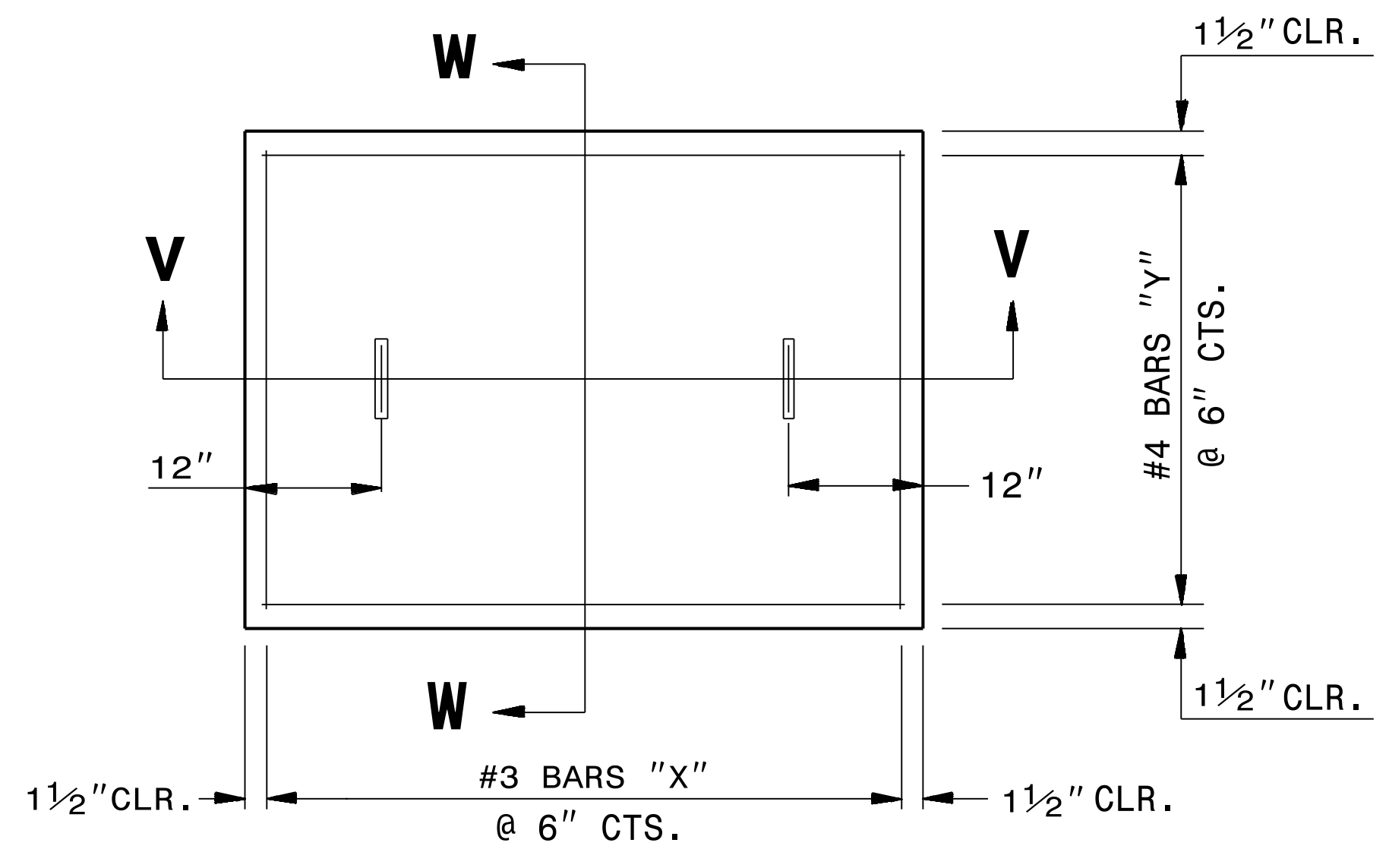
**SECTION W-W**



**DETAIL OF HANDLE**

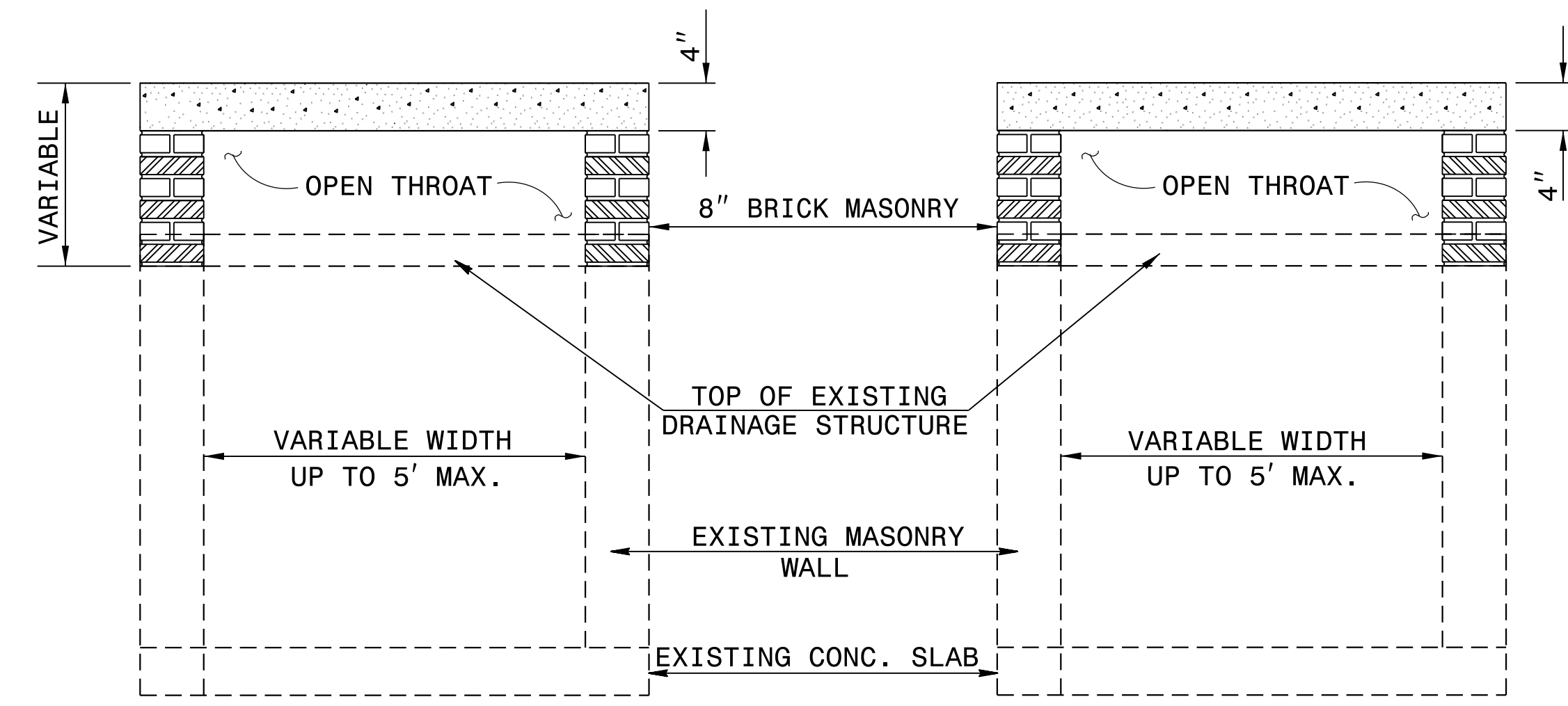


**PART SECTION**  
THRU COVER SHOWING HANDLE



**PLAN**

PRECAST OR CAST IN PLACE TOP SLAB



**SECTION W-W**

**SECTION V-V**

**GENERAL NOTES:**

CONSTRUCT IN ACCORDANCE WITH SECTION 859 OF THE STANDARD SPECIFICATIONS.

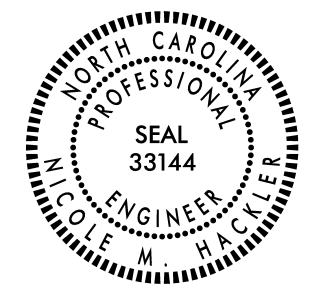
THE DIMENSIONS FOR THE EXISTING BOXES ARE APPROXIMATE AND MAY VARY SLIGHTLY.

DETAIL INTENDED FOR NON-TRAFFIC BEARING DRAINAGE STRUCTURES.

BILL OF MATERIALS				
REINFORCING STEEL				
CODE	SIZE	QTY.	LENGTH	REINF. STEEL lbs.
X	#3	9	3'-1"	10.4
Y	#4	7	4'-1"	19.1
TOTAL				29.5 *
MASONRY				CY
TOP SLAB CONCRETE CLASS "B"				0.1783 *
BRICK MASONRY PER FT HT (MIN)				0.3127 *

NO DEDUCTIONS HAVE BEEN TAKEN FOR OPEN THROAT OPENINGS

**\* NOTE:**  
QUANTITIES BASED ON 3'-0" X 2'-0" DRAINAGE STRUCTURE. ADJUST QUANTITIES FOR LARGER STRUCTURES.



DOCUMENT NOT CONSIDERED FINAL UNLESS ALL SIGNATURES COMPLETED

**CONTRACT STANDARDS AND DEVELOPMENT UNIT**  
Office 919-707-6950 FAX 919-250-4119

**DETAIL TO CONVERT EXISTING DRAINAGE BOX TO OPEN THROAT CATCH BASIN**

ORIGINAL BY: E.E. WARD DATE: 9-02-03  
 MODIFIED BY: DATE:  
 CHECKED BY: DATE:  
 FILE SPEC.: s:\usr\details\stand\cbto\_openthrt.dgn

I6-JUN-2017 09:57 S:\Contracts\Special Details\Jhover-ton\Convert Box to OTCB.dgn Jhover-ton AT USD-292595